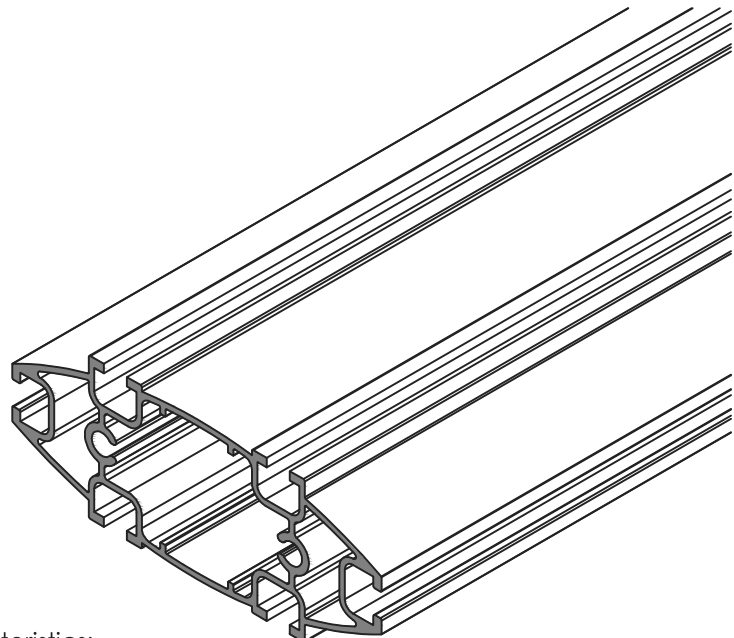
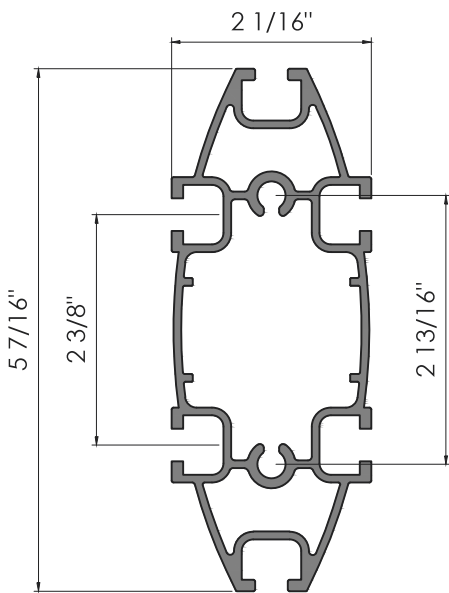
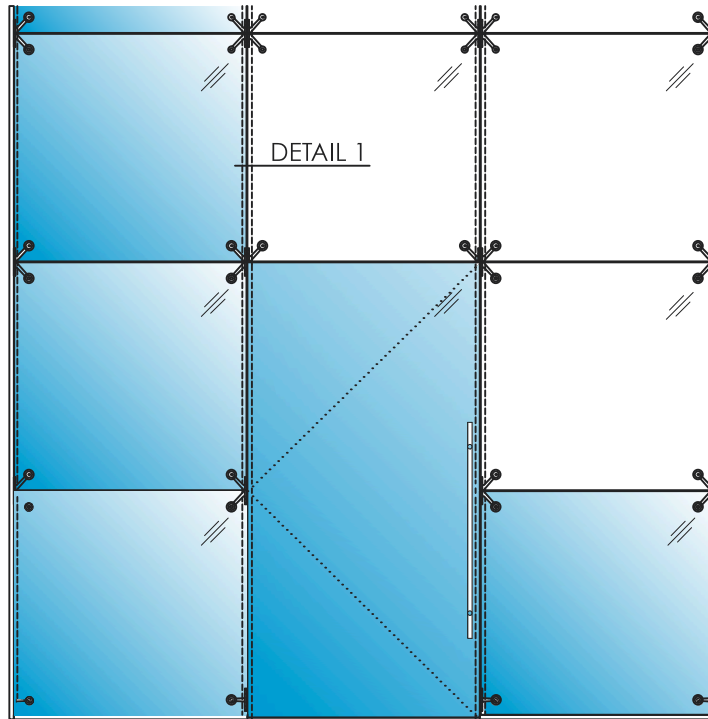


Elevare™ Mullion High Wall System Standard Mullion



Elevare™ Mullion High Wall System Characteristics:
Maximum Panel Height: 30'-0"
Maximum Panel Width: 48"
Maximum Weight Supported per Arm: 110 lbs

Fitting at the perimeter are anchored to the perimeter