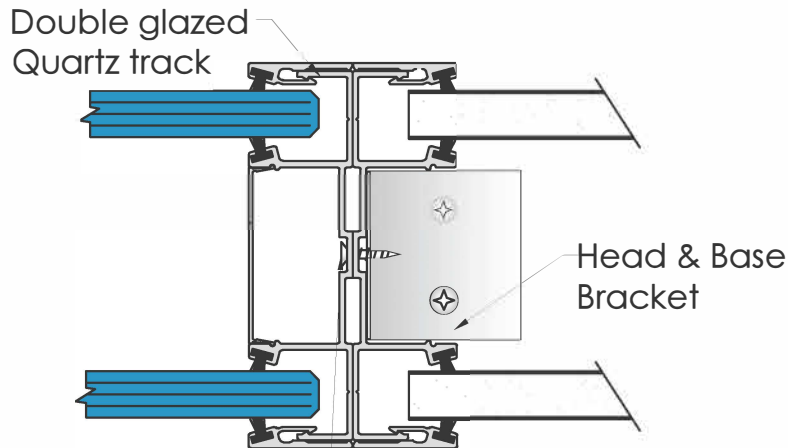
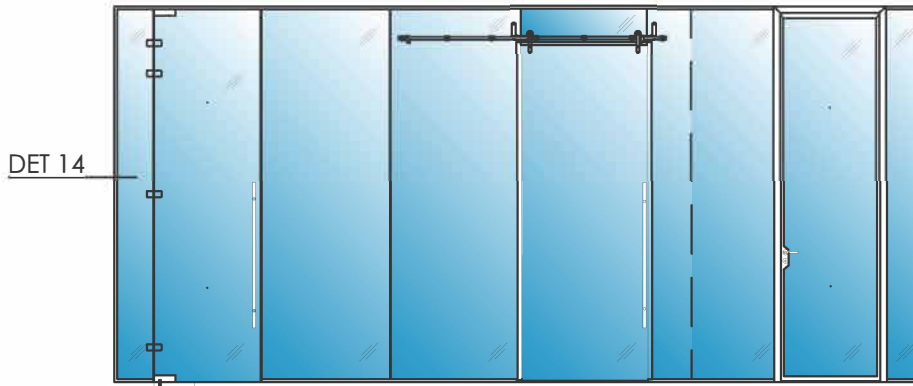


Solare™

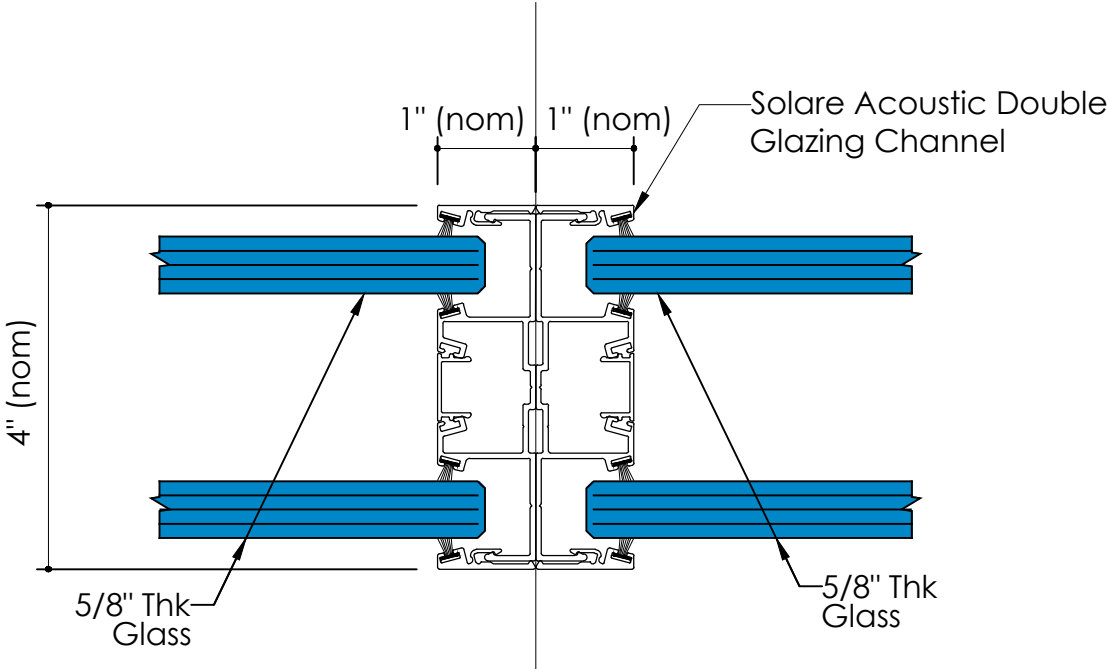
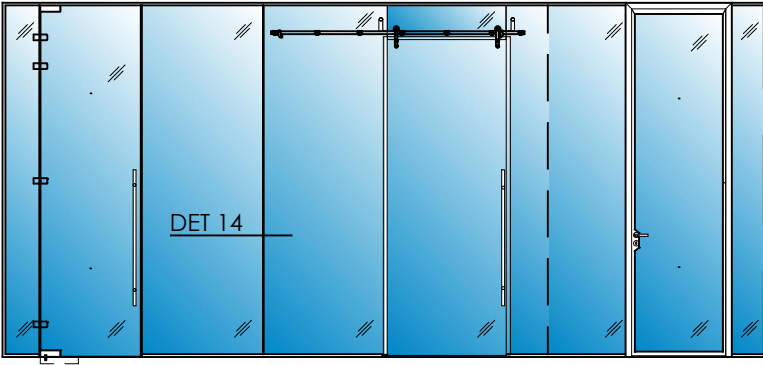
Acoustic Double Glazed Partition System

Double Glazed Frame to Solid Mullion

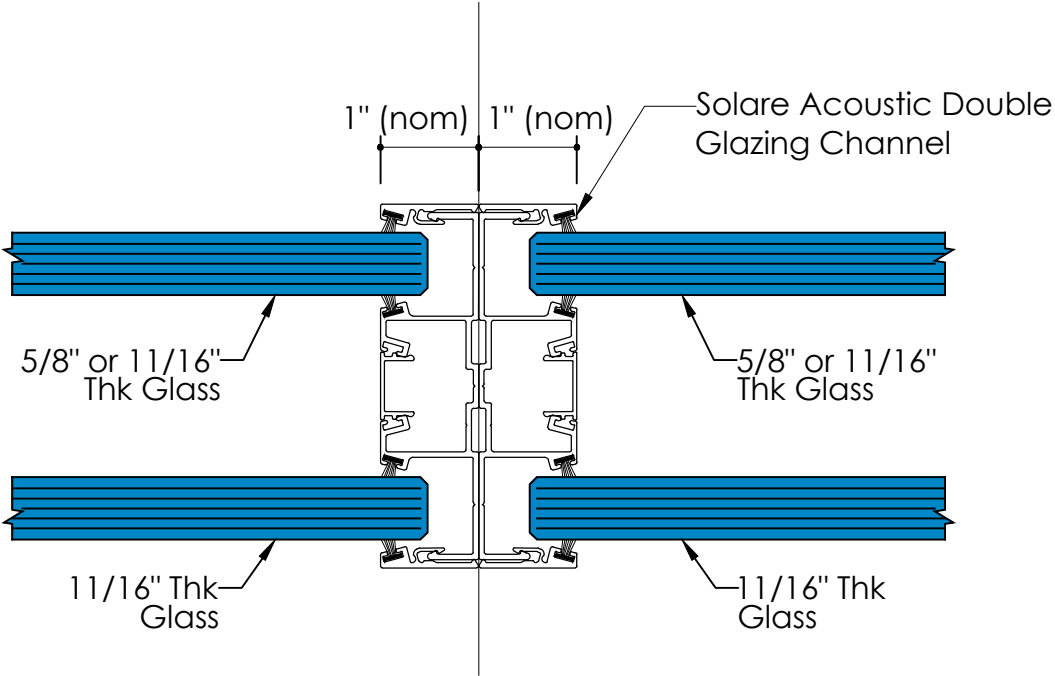
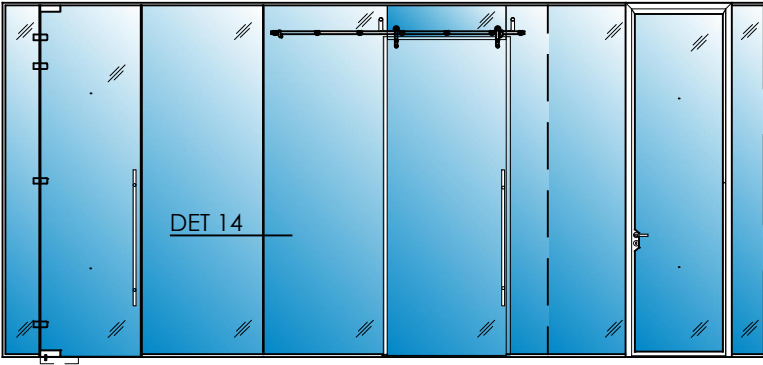


Quartz track screwed back to back as shown, to create mullion between head and base tracks.

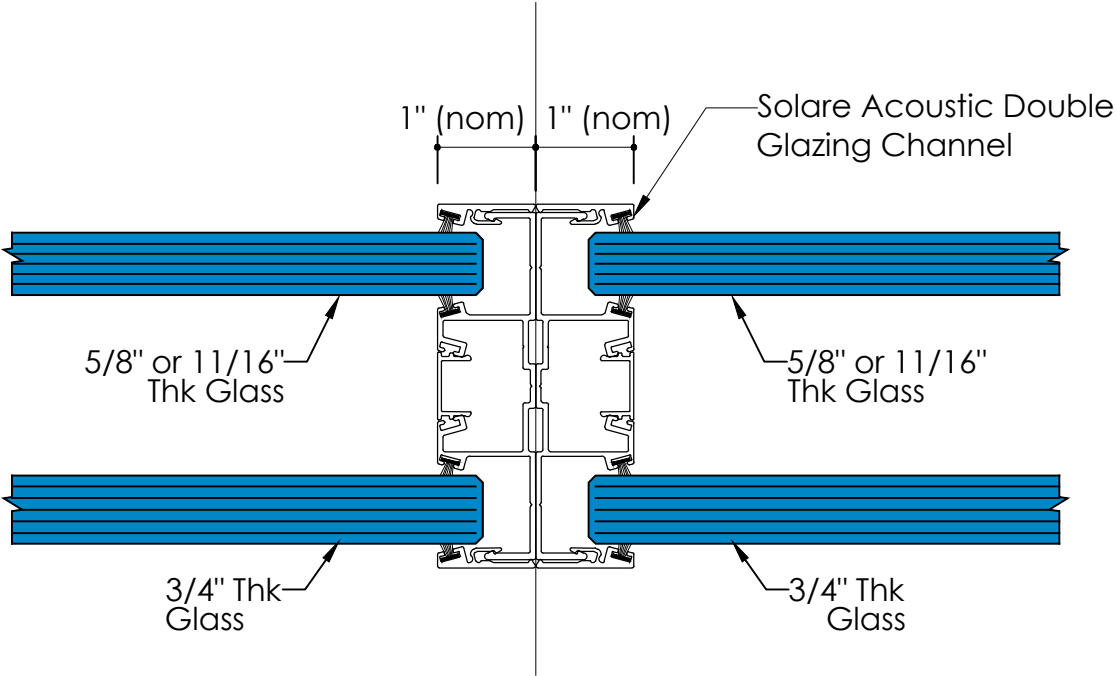
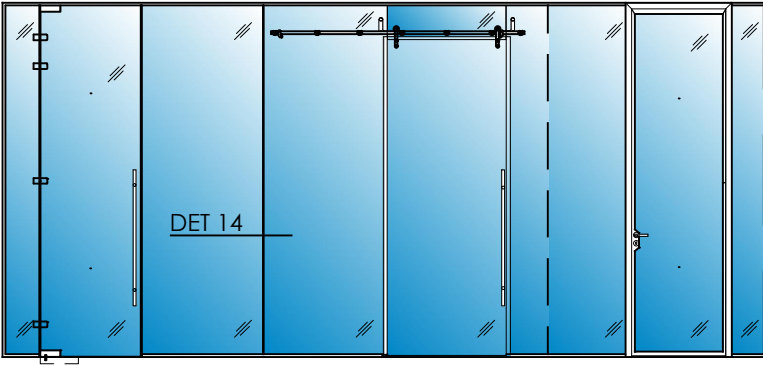
Solare™
Acoustic Double Glazed Partition System
Double Glazed Frame to Solid Mullion



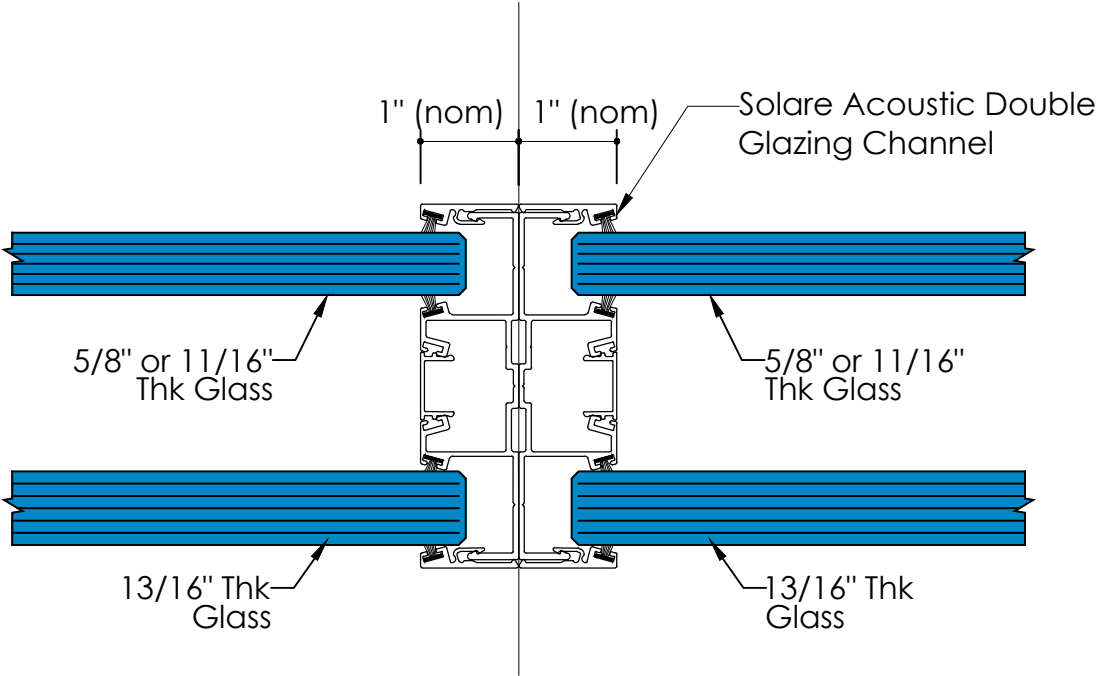
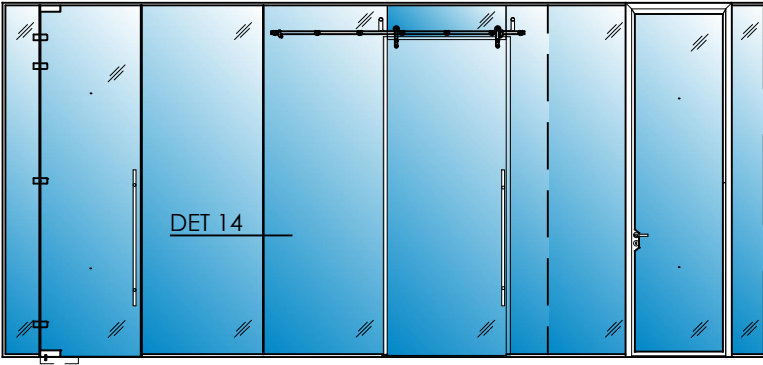
Solare™
Acoustic Double Glazed Partition System
Double Glazed Frame to Solid Mullion



Solare™
Acoustic Double Glazed Partition System
Double Glazed Frame to Solid Mullion



Solare™
Acoustic Double Glazed Partition System
Double Glazed Frame to Solid Mullion



Solare™

Acoustic Double Glazed Partition System

New Avanti DG Track to increased STC rating

