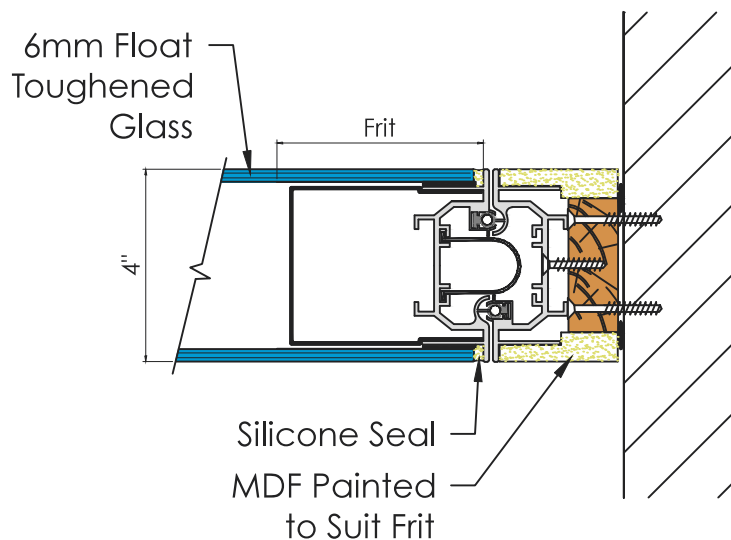
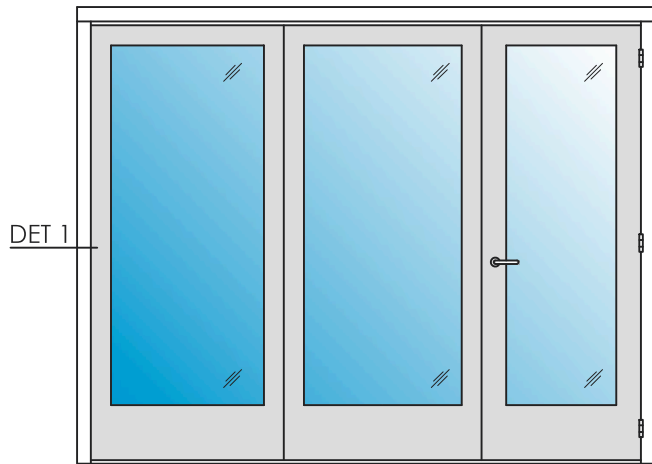


# Movare™ Movable Double Glazed Partition System Basic Jamb



## Movare™ Movable Double Glazed Partition System Characteristics

Track System: Center or End Fold

Head Track: Extruded 4"

Glazing Panel Width: 9 3/4" min. - 36" max.

Maximum Glazing Panel Height: Full height up to 13 feet

Glazing Available: 1/4" Glass on each side of unit. Various glazing types available upon request.

Roller Options: Single point, Twin Point and Heavy Duty

Parking Options: Single or Twin tracks with offset parking, Single or Twin Point parking

Door Integrations: Pivot Glass Doors, Full Height Pass Door, End Panels can be free swing pivot door access

Standard Frame Finishes Available: Polyester powder coated finish (RAL color choices)

Acoustic Performance: up to 54 dB

Flame Spread: Class O Surface Spread of Flame



200 Pemberwick Road  
Greenwich, CT 06831

T: (877) 282-6843  
F: (914) 934-5992  
W: [www.avantisystemsusa.com](http://www.avantisystemsusa.com)  
E: [sales@avantisystemsusa.com](mailto:sales@avantisystemsusa.com)